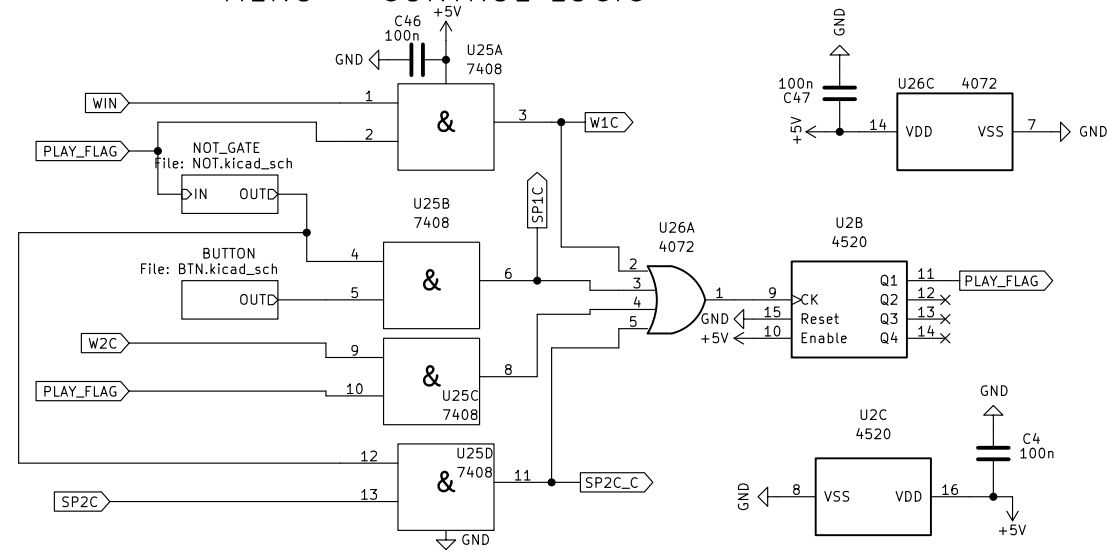
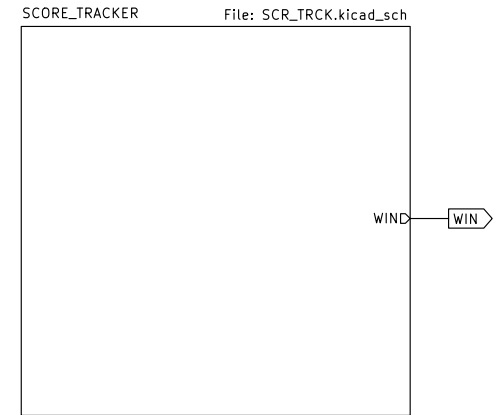


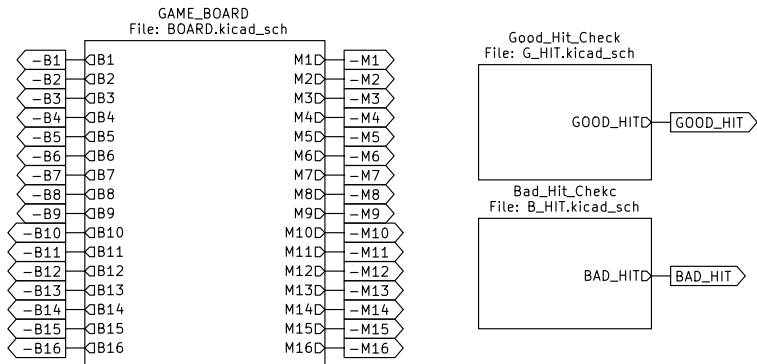
MENU - CONTROL LOGIC



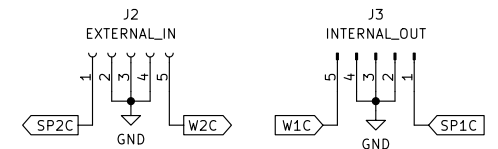
SCORE TRACKER



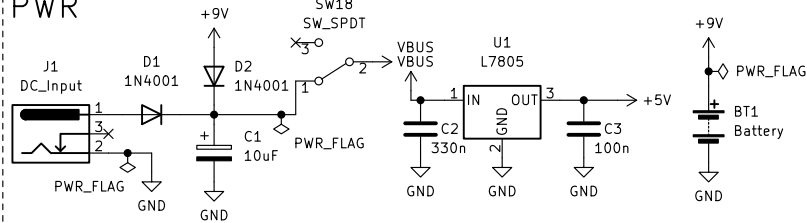
GAME BOARD



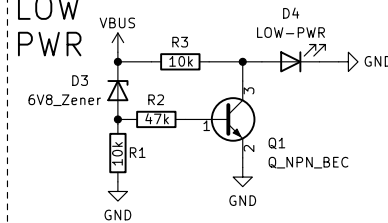
board-to-board connection



PWR



LOW PWR



This schematic and all the sub-circuits joined to it are licensed under a CC-BY-NC-SA 4.0 license.
<https://creativecommons.org/licenses/by-nc-sa/4.0/>

NOH-Modular

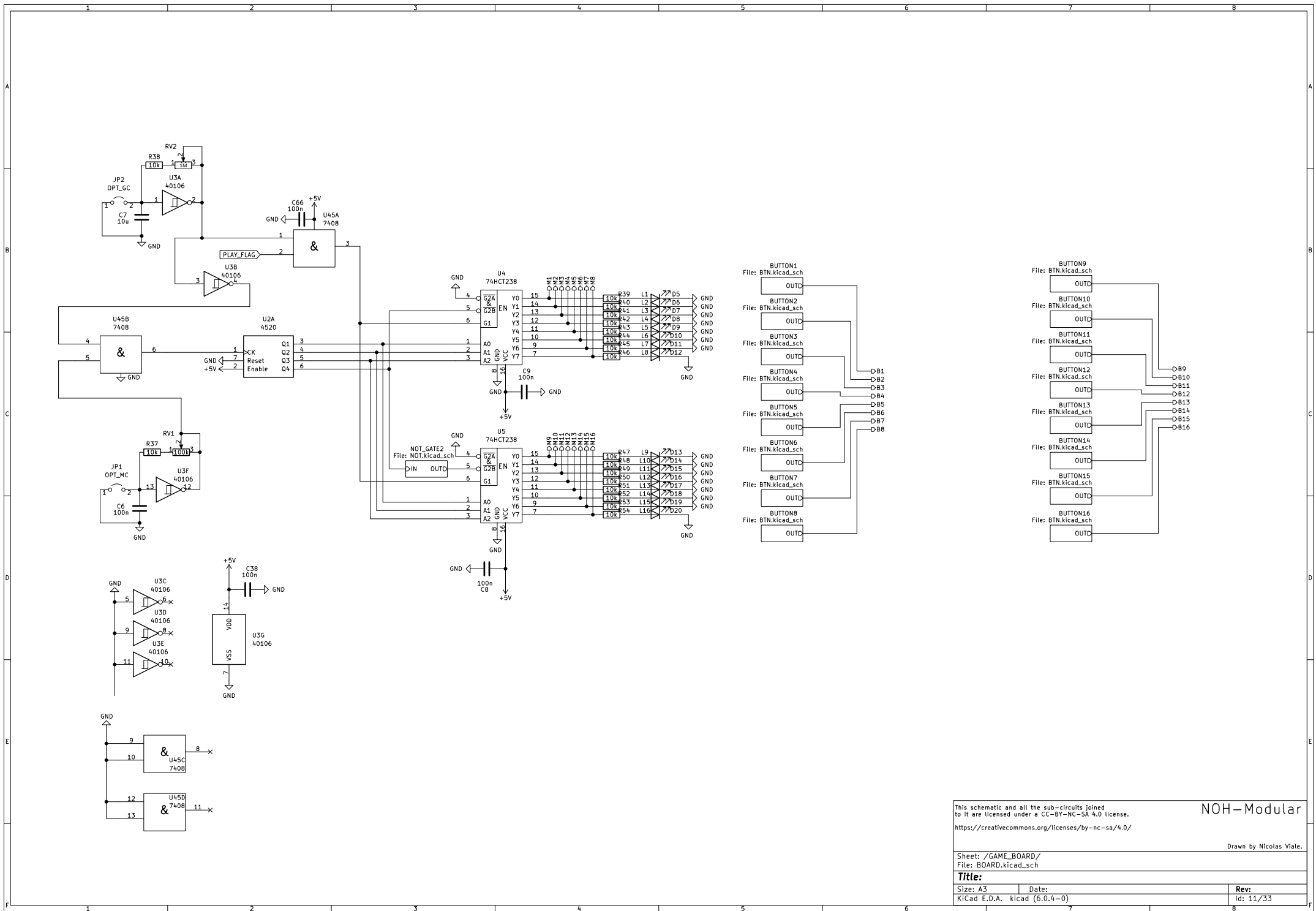
Sheet: /
 File: WAM-GAME-v1.kicad_sch

Drawn by Nicolas Viale.

Title: REFLEXES

Size: A4 Date: 2023-06-25
 KiCad E.D.A. kicad (6.0.4-0)

Rev: v1
 Id: 1/33

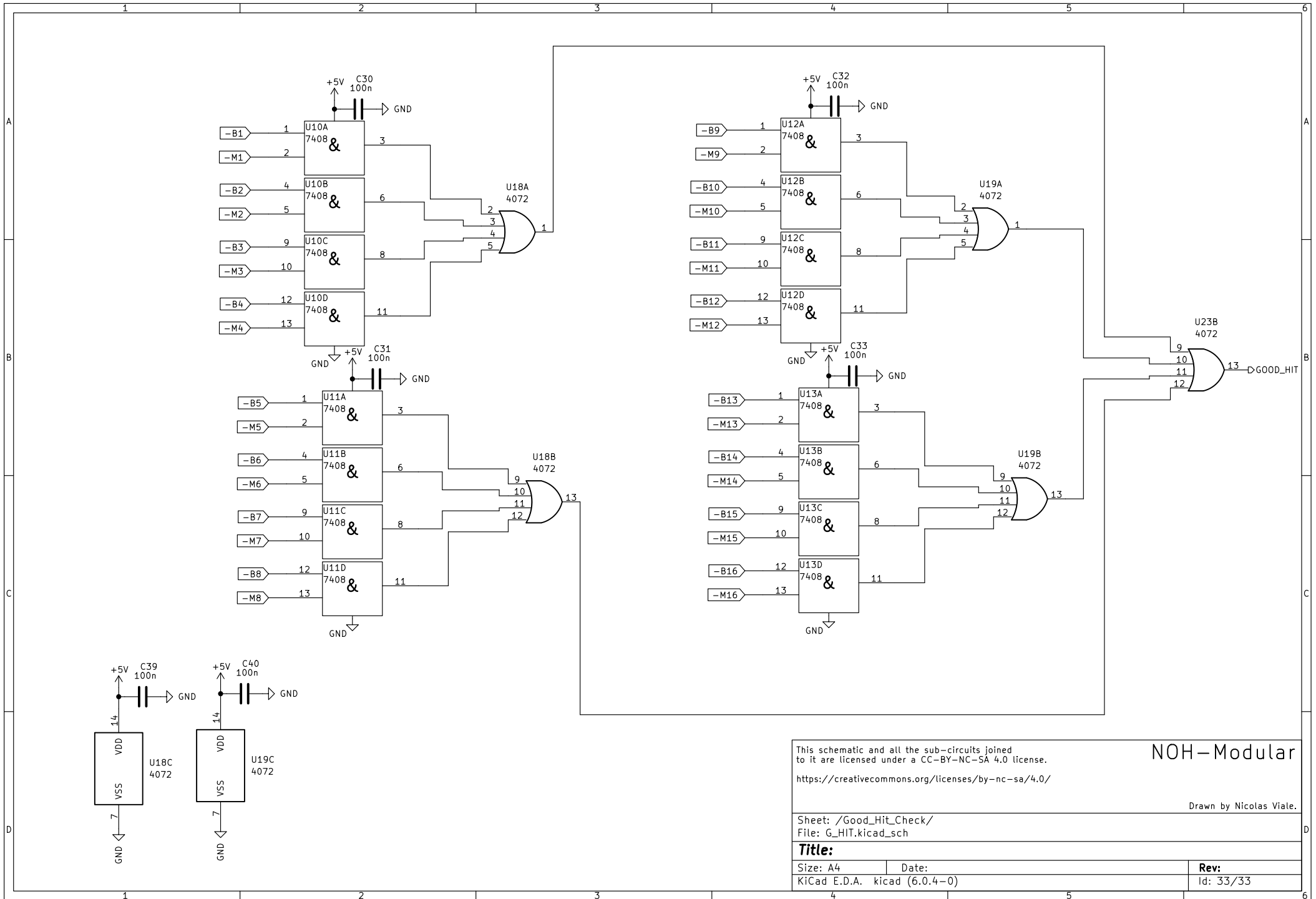


This schematic and all the sub-circuits joined to it are licensed under a CC-BY-NC-SA 4.0 license.
<https://creativecommons.org/licenses/by-nc-sa/4.0/>

NOH-Modular

Drawn by Nicolas Viate.

Sheet: /GAME_BOARD/		File: BOARD.kicad_sch	
Title:			
Size: A3	Date:	Rev:	
KiCad E.D.A. kicad (6.0.4-0)		Id: 11/33	



This schematic and all the sub-circuits joined to it are licensed under a CC-BY-NC-SA 4.0 license.
<https://creativecommons.org/licenses/by-nc-sa/4.0/>

NOH-Modular

Drawn by Nicolas Viale.

Sheet: /Good_Hit_Check/
 File: G_HIT.kicad_sch

Title:

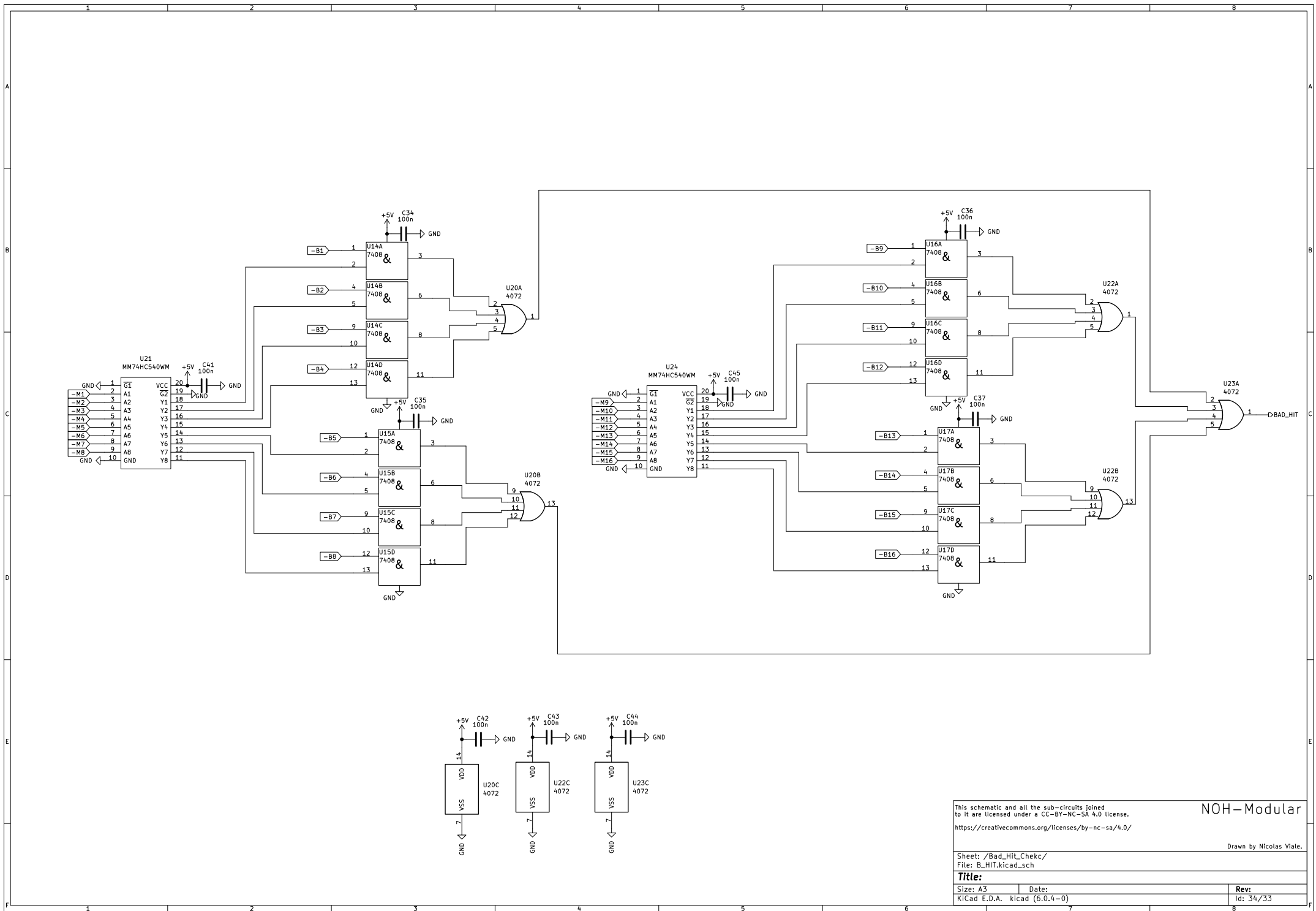
Size: A4

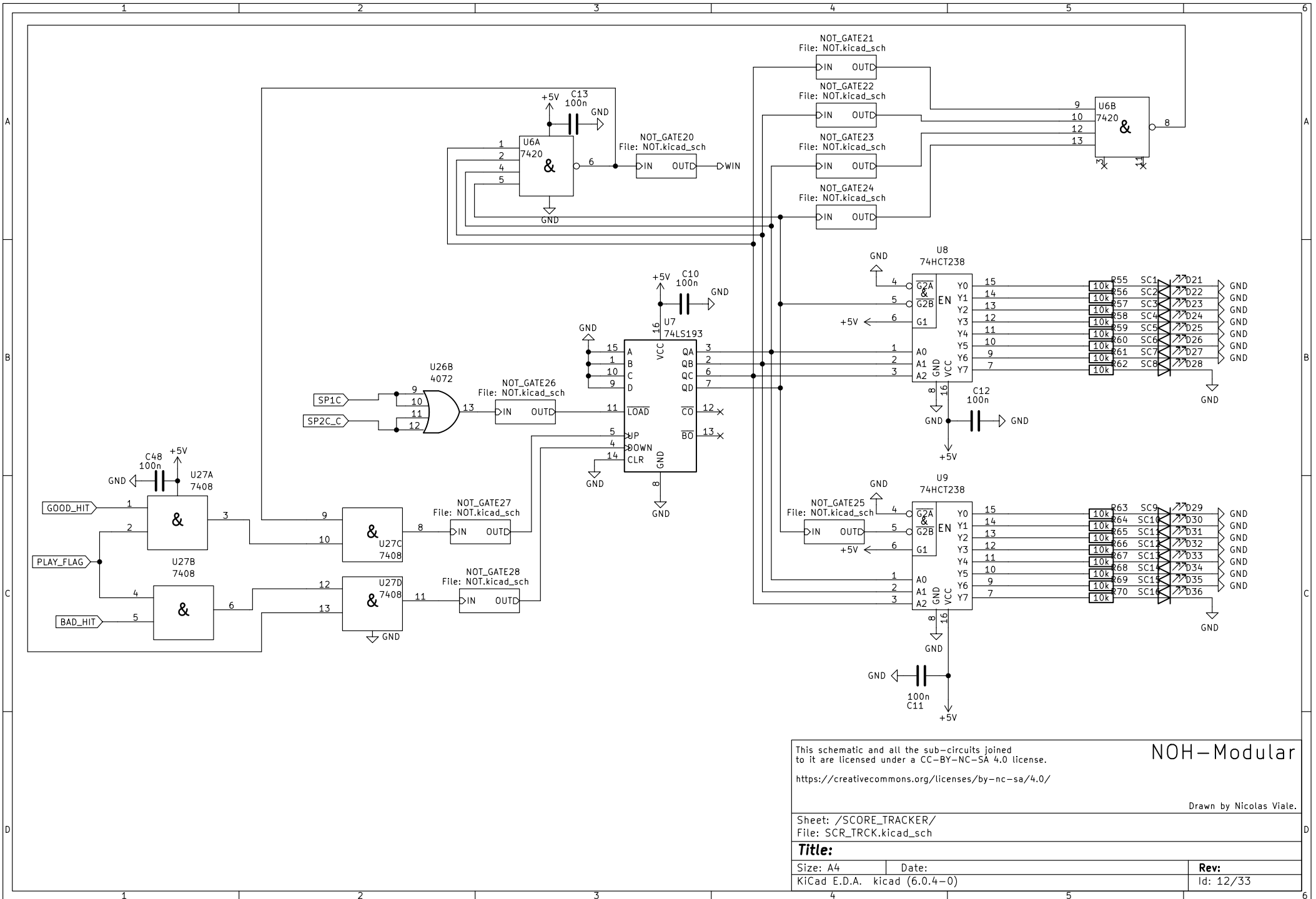
Date:

KiCad E.D.A. kicad (6.0.4-0)

Rev:

Id: 33/33





This schematic and all the sub-circuits joined to it are licensed under a CC-BY-NC-SA 4.0 license.

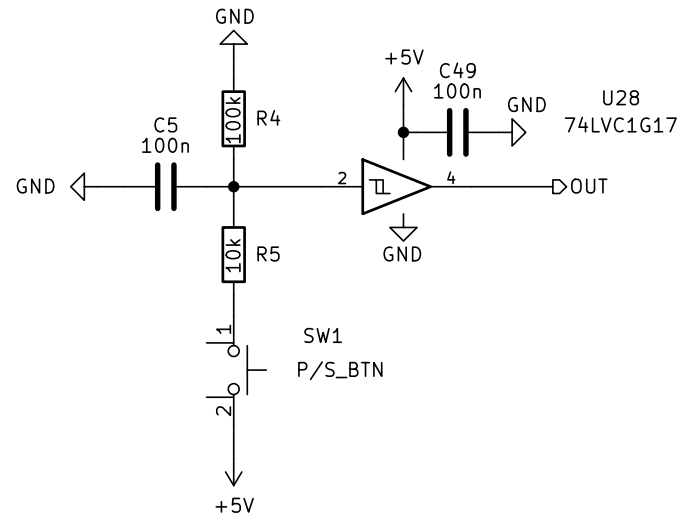
NOH-Modular

<https://creativecommons.org/licenses/by-nc-sa/4.0/>

Drawn by Nicolas Viale.

Sheet: /SCORE_TRACKER/
File: SCR_TRCK.kicad_sch

Title:		
Size: A4	Date:	Rev:
KiCad E.D.A. kicad (6.0.4-0)		Id: 12/33



This schematic and all the sub-circuits joined to it are licensed under a CC-BY-NC-SA 4.0 license.

<https://creativecommons.org/licenses/by-nc-sa/4.0/>

NOH-Modular

Drawn by Nicolas Viale.

Sheet: /BUTTON/
File: BTN.kicad_sch

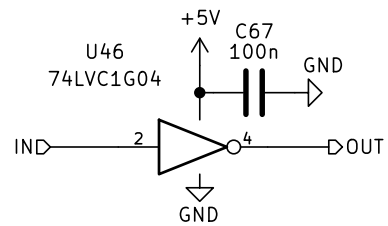
Title:

Size: A5
KiCad E.D.A. kicad (6.0.4-0)

Date:

Rev:

Id: 2/33



This schematic and all the sub-circuits joined to it are licensed under a CC-BY-NC-SA 4.0 license.

<https://creativecommons.org/licenses/by-nc-sa/4.0/>

NOH-Modular

Drawn by Nicolas Viale.

Sheet: /NOT_GATE/
File: NOT.kicad_sch

Title:

Size: A5
KiCad E.D.A. kicad (6.0.4-0)

Date:

Rev:

Id: 3/33